

## Aerosol Impactor Box – Wiring Diagram

P1 = Amp, MateNLok, 2x3 shells w/ sockets (connector to electronic ball valve)

P2 & P3 = Amp, MateNLok, 1x3 shell w/ sockets (connectors to solenoids)

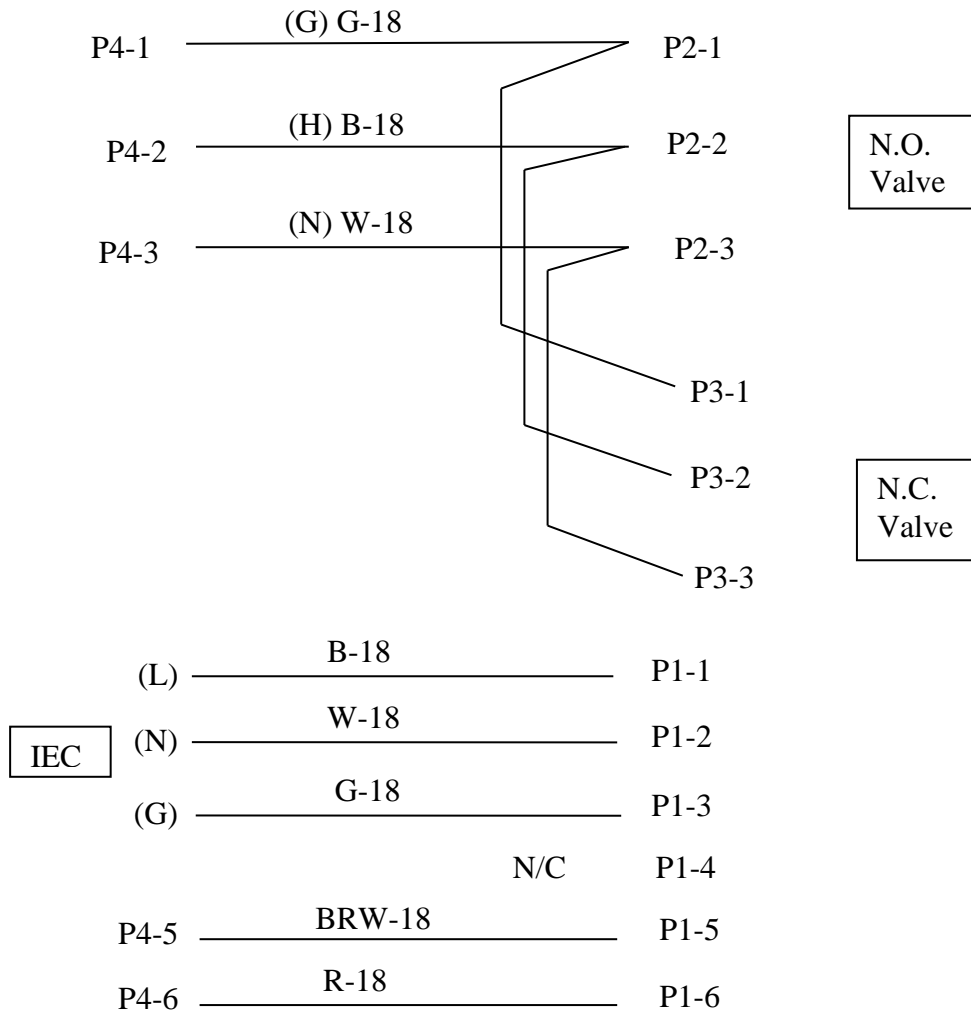
P4 = MateNLok 3x3 shell w/ pins (front panel of impactor box)

(G) = Ground

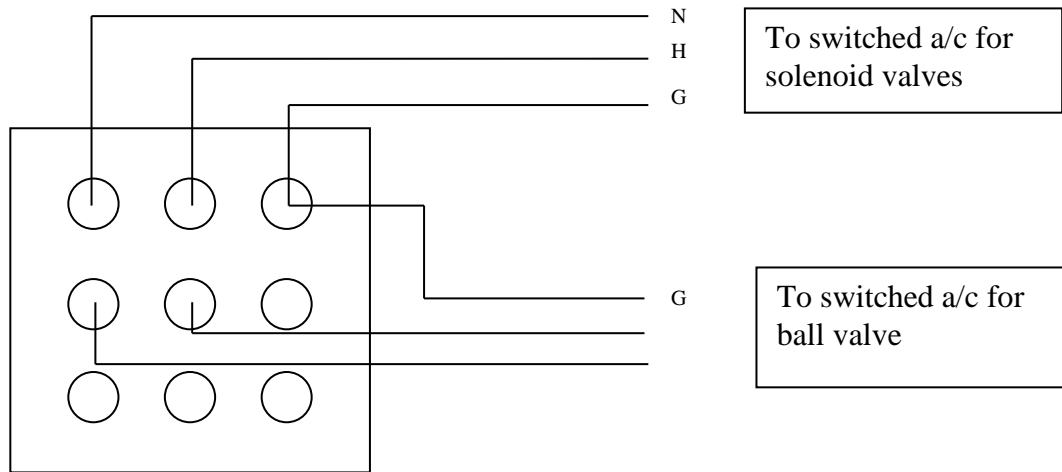
(H) = Hot (=L, Line on some connectors)

(N) = Neutral

Wire color and gauge is expressed like G-18 (green, 18 AWG)



Switched A/C power – connections to front panel connector



Vaisala Panel Mount Pin-out

<u>Pin</u>	<u>Parameter</u>
1	RH
2	Temp
3	7-28 VDC
4	common

Vaisala Humitter Sensor Pin-out

<u>Wire</u>	<u>Parameter</u>
BRN	RH
V	Temp
Y	7-28 VDC
G	common