

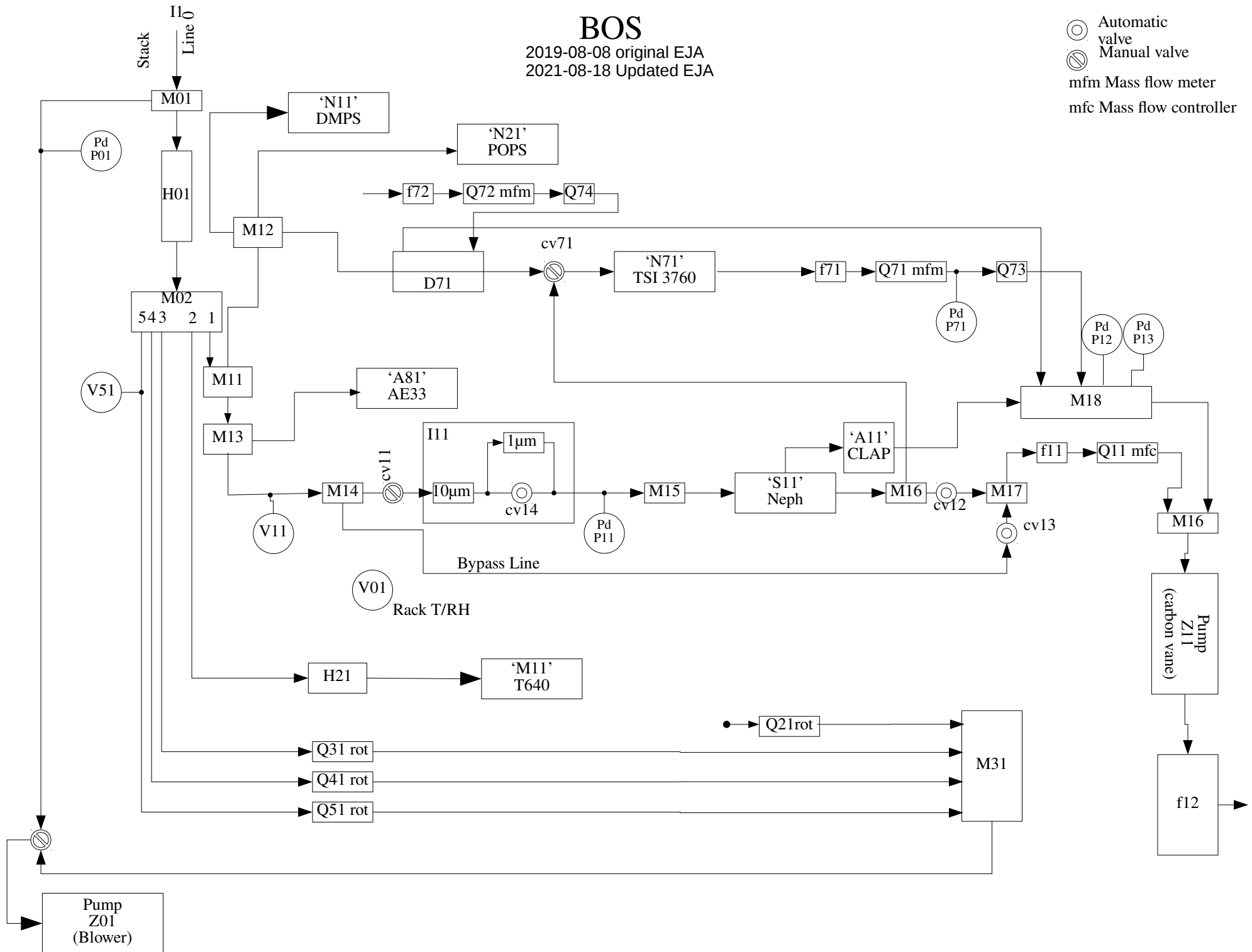


BOS

2019-08-08 original EJA
 2021-08-18 Updated EJA

-  Automatic valve
-  Manual valve
- mfm Mass flow meter
- mfc Mass flow controller



Bap_B_3W -> BaS_A11
Bap_G -> Ba0_A11
Bap_G_3W -> BaL_A11
Bap_R_3W -> BaC_A11
CN_control -> N_N61
dP_F1_hPa -> Pd_P21
dP_F2_hPa -> Pd_P22
dP_F3_hPa -> Pd_P23
dP_F4_hPa -> Pd_P24
dP_F5_hPa -> Pd_P25
dP_F6_hPa -> Pd_P26
dP_F7_hPa -> Pd_P27
dP_F8_hPa -> Pd_P28
dP_neph_imp_hPa -> Pd_P11
dp_Pitot_hPa -> Pd_P01
dP_spare1 -> Pd_P12
dP_spare2 -> Pd_P61
Flags -> F_aer
P_refNeph -> P_S11
Q_analyzer_lpm -> Q_Q11
Q_CN_lpm -> Q_Q61
Q_CNdrier_lpm -> Q_Q62
Q_filter_lpm -> Q_Q21
RefBbsp_B -> BbsB_S11
RefBbsp_G -> BbsG_S11
RefBbsp_R -> BbsR_S11
RefBsp_B -> BsB_S11
RefBsp_G -> BsG_S11
RefBsp_R -> BsR_S11
RH_Inlet -> U_V51
RH_refInlet -> Uu_S11
RH_refNeph -> U_S11
RH_sample -> U_V11
T_Inlet -> T_V51
T_pumpbox_degC -> T_V01
T_rack -> T_V22
T_refInlet -> Tu_S11
T_refNeph -> T_S11
T_sample_degC -> T_V11
T_uMAC_degC -> T_X1
V_uMAC_V -> V_X1
WD -> Wd_X5
WS -> Ws_X5

BaC_A11 -> Bap_R_3W
BaL_A11 -> Bap_G_3W
Ba0_A11 -> Bap_G
BaS_A11 -> Bap_B_3W
BbsB_S11 -> RefBbsp_B
BbsG_S11 -> RefBbsp_G
BbsR_S11 -> RefBbsp_R
BsB_S11 -> RefBsp_B
BsG_S11 -> RefBsp_G
BsR_S11 -> RefBsp_R
F_aer -> Flags
N_N61 -> CN_control
P_S11 -> P_refNeph
Pd_P01 -> dp_Pitot_hPa
Pd_P11 -> dP_neph_imp_hPa
Pd_P12 -> dP_spare1
Pd_P21 -> dP_F1_hPa
Pd_P22 -> dP_F2_hPa
Pd_P23 -> dP_F3_hPa
Pd_P24 -> dP_F4_hPa
Pd_P25 -> dP_F5_hPa
Pd_P26 -> dP_F6_hPa
Pd_P27 -> dP_F7_hPa
Pd_P28 -> dP_F8_hPa
Pd_P61 -> dP_spare2
Q_Q11 -> Q_analyzer_lpm
Q_Q21 -> Q_filter_lpm
Q_Q61 -> Q_CN_lpm
Q_Q62 -> Q_CNdrier_lpm
T_S11 -> T_refNeph
T_V01 -> T_pumpbox_degC
T_V11 -> T_sample_degC
T_V22 -> T_rack
T_V51 -> T_Inlet
T_X1 -> T_uMAC_degC
Tu_S11 -> T_refInlet
U_S11 -> RH_refNeph
U_V11 -> RH_sample
U_V51 -> RH_Inlet
Uu_S11 -> RH_refInlet
V_X1 -> V_uMAC_V
Wd_X5 -> WD
Ws_X5 -> WS